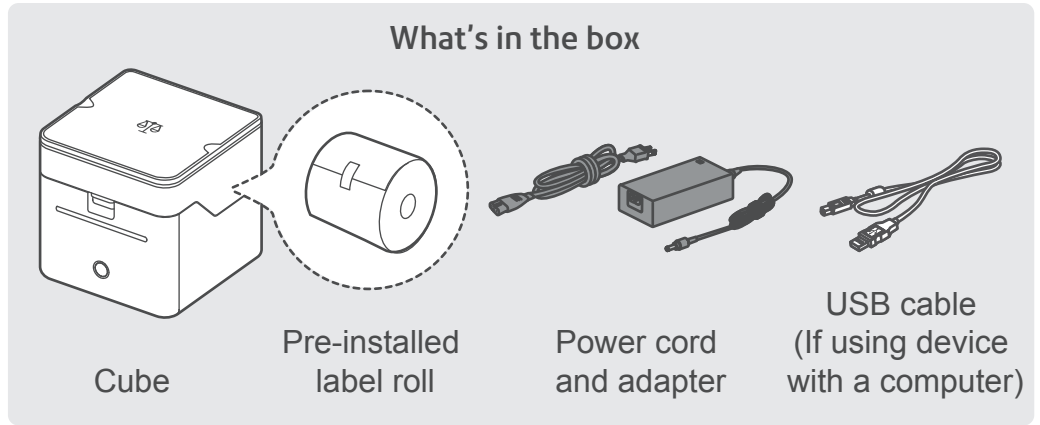
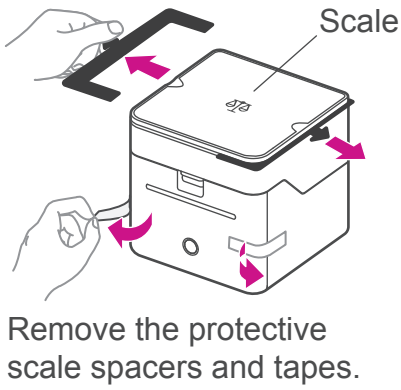
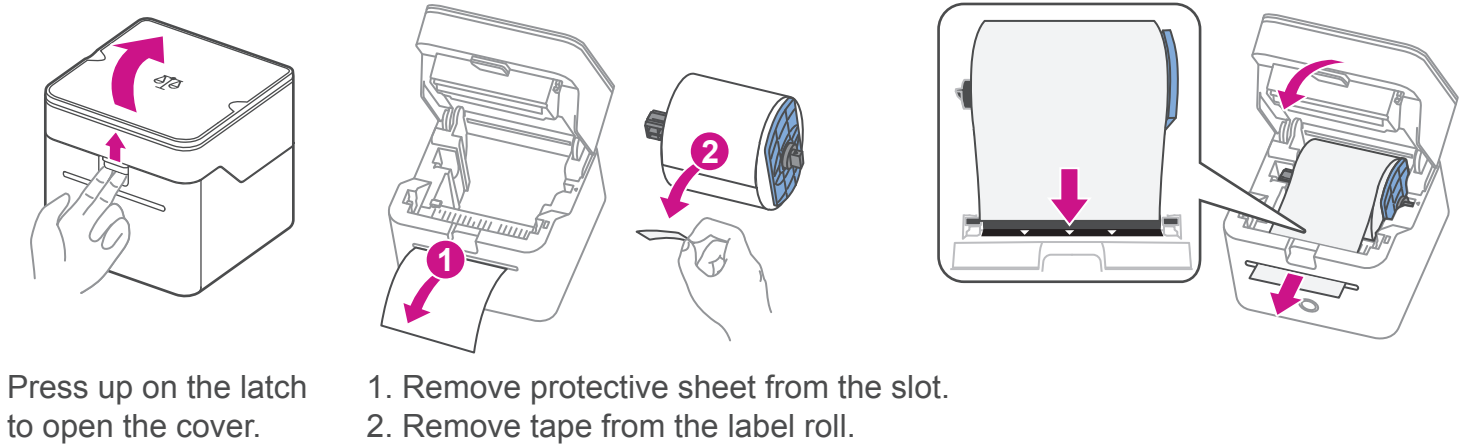


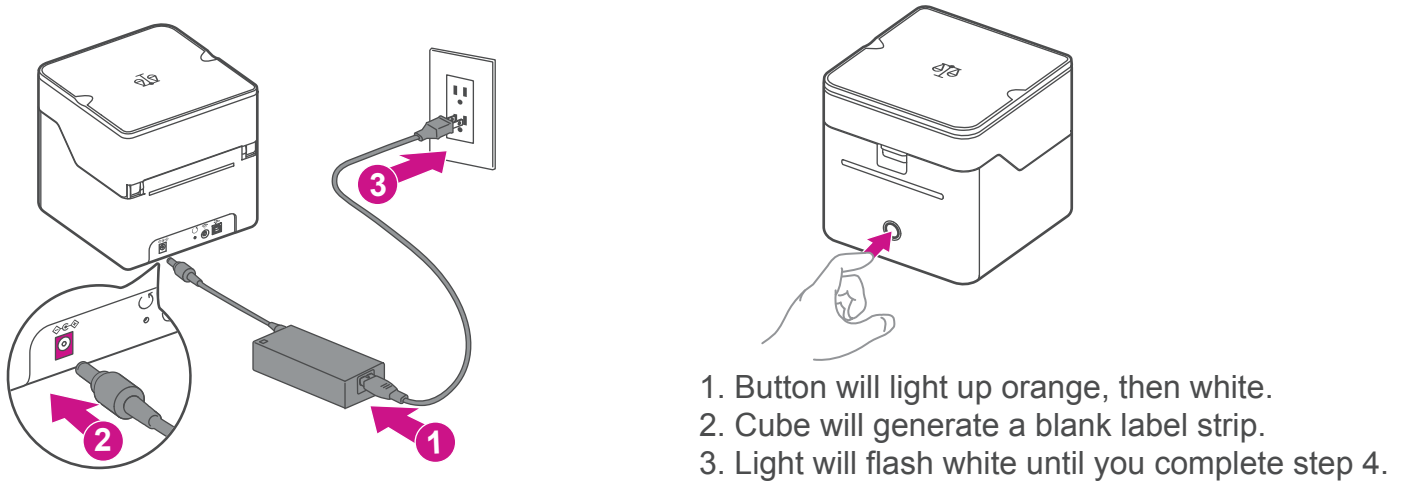
### 1. Unpack Cube.



### 2. Feed the label roll through the slot



### 3. Connect to a power source and press the power button.



### 4. Complete setup.

#### To use with your mobile phone

Scan QR code with your phone's camera and install the PitneyShip app from the App Store or Google Play.



#### To use with your computer

- Use the USB cable to connect Cube with your computer.
- Then visit [cube.pitneybowes.com](http://cube.pitneybowes.com) to complete setup.

